

INLGB02LPRI RWA

2MP ANPR Network Bullet Camera
w/IR, SD Slot

Optic Lens

- Starlight optical sensor and integrated IR illuminator produce clear images in night environments and reduce light pollution.
- 4 LED IR illumination beads provide up to 50m illumination.
- 2MP industrial-grade sensor delivers 1920 x 1080 images.
- Motorized zoom lens enables flexible focal length adjustment and easy installation.
- Automatic gain control, white balance, and WDR for various light conditions

Functions

- Built-in vehicle & license plate recognition algorithm can recognize standard license plates of multiple countries.
- Supports capturing vehicle head only.
- Supports allowlist and blocklist configuration.
- Supports vehicle access control when connected to a barrier.
- Supports Micro SD cards of up to 128GB.
- Supports ANR, the camera can automatically store video to its SD card in case of network disconnection.
- Supports audio acquisition and intercom



NDAA
Compliant



*Design and specifications are subjects to change without notice.



INLGB02LPRIRWA

2MP ANPR Network Bullet Camera w/IR, SD Slot

Product Specifications

Camera	
Image Sensor	1/2.8" 2MP CMOS
Lens (Focal Length)	4.7 to 47mm, motorized zoom
Electronic Shutter Speed	Auto/Manual, Range: 1/25 to 1/100,000
Minimum Illumination	0.001 Lux (F1.6)
Image	
Image Sensor	Uncooled LWIR Image Sensor
Effective Pixels	384 x 288
Lens (Focal Length)	6.3 mm Athermalized Lens
Pixel Size	17µm
Response Waveband	8µm to 14µm
Field of View	65.9° × 45.9° (H × V)
Min. Focusing Distance	0.2 m
Sensitivity	NETD < 60mK (50Hz, F1.0, 300K)
Image Settings	Thermal Shutter, Contrast Enhancement, Palette, Text Overlay
Image Rotation	Mirror, Flip
Frame Rate	1080P at 25fps (Default), 30fps, 50fps, 60fps
Resolution	Main stream: 1080P (default), 720P, D1 Sub stream: 720P (default), D1, 2CIF, CIF Third stream: D1 (default), 2CIF, CIF
Compression	H.265; H.264
ROI	Supports up to 8 regions
Video OSD	Supports 8 overlay areas and allows contents including date, time, date & time, zoom ratio, custom contents
Image OSD	Supports 8 overlay areas and allows contents including time, license plate number, device ID, camera ID, allowlist, image authentication ID, custom contents (3 items), location
Smart Detection	
Application scenario	Vehicle speed ≤30km/h Supports simultaneous application to entry/exit scenes
Vehicle detection mode	Video (default) or inductive loop
Capture vehicle head only	Support
License plate number recognition	Supports recognition of license plates with numbers and letters by default
List configuration	Supports allowlist and blacklist configuration, each list allows 20,000 items Supports import, export, add, and delete operations
Barrier opening policy	Open barrier only for the recognized vehicles Open barrier for all vehicles Open barrier only for vehicles on the allowlist Open barrier for vehicles not on the blacklist Configurable Boolean output ID

*Design and specifications are subjects to change without notice.



INLGB02LPRI RWA

2MP ANPR Network Bullet Camera w/IR, SD Slot

Product Specifications

Storage	
Edge storage	Supports ANR with a Micro SD card, up to 128GB
Build	
Illumination	Built-in integrated illumination module, including 4 IR LEDs, 50m illumination distance, automatic on/off control
Sunshield	Long sunshield
Bracket	3-axis mounting bracket
Junction box	The camera comes with a junction box for storing tail cable
Interface	
Network interface	1 × 10M/100M RJ45
Serial port	1 × RS485
Boolean output	1 relay output, withstand voltage: AC 125V/0.3A, DC 30V/1A
Boolean input	2 inputs, supports level/Boolean, with max level up to DC 5V
Audio interface	1 × audio input, 1 × audio output
Storage interface	1 × Micro SD card slot
General	
Power Supply	DC12V + 25% - 10%
	Max. power consumption: 20W
	Supports PoE (802.3at, class 4)
Dimensions (L×W×H)	386mm x 126mm x 130mm
Weight	2kg
Operating environment	-40°C to 60°C, ≤90% RH
Ingress protection	IP67, IK10

*Design and specifications are subjects to change without notice.



INLGB02LPRIRWA

2MP ANPR Network Bullet Camera
w/IR, SD Slot

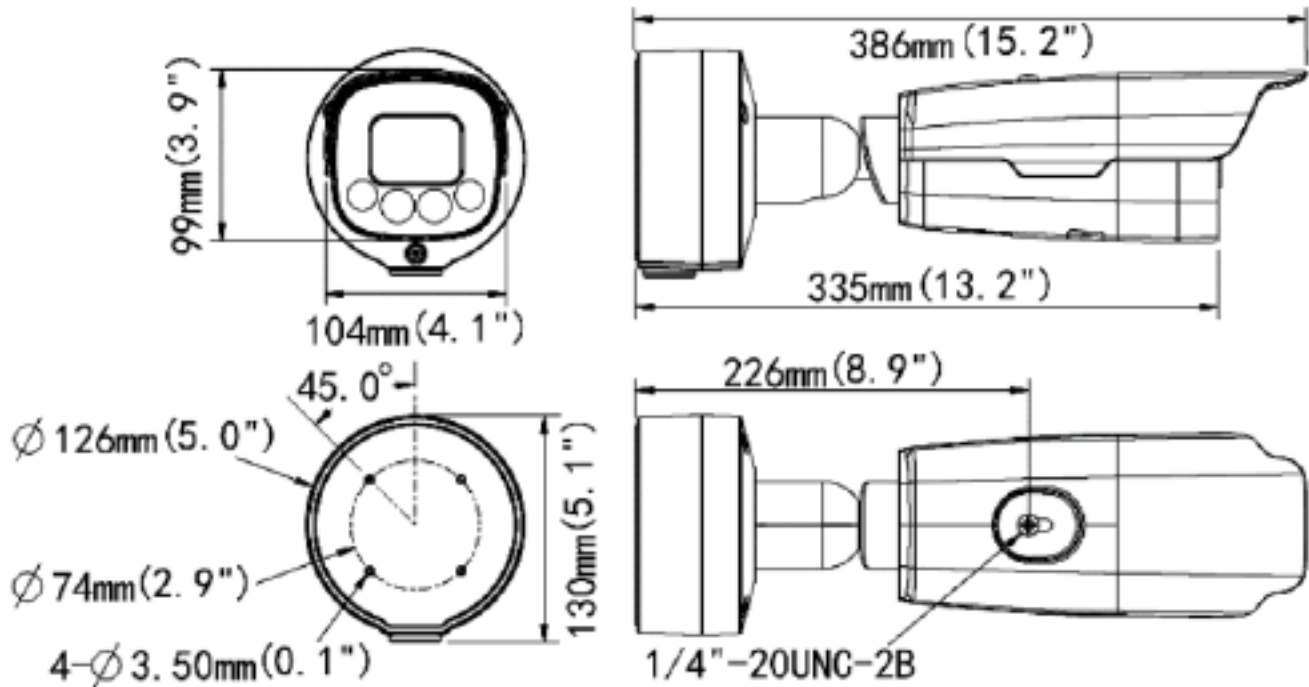
Product Specifications



VUSD128G
Micro SD Card



XLGUP06-C
Pole Mount



*Design and specifications are subjects to change without notice.

